

## HIGHLIGHTS FOR EVERYONE

Two Variants: Original up to One Bike; Extra up to Two Bikes  
Two Door Locks; Not Just One. More Secure  
Additional Option of Internal Security Ground Anchor and Chain  
Easy to Install with Fixings Provided; Simply Bolts Down  
Basic DIY Tools and Skills Required Only  
Weatherproof – Bike and Kit Stay Dry and Clean  
Maintenance Free; Graffiti Resistant – No Painting Required  
Free UK Mainland Delivery Up To Scottish Borders  
Made From Super Tough LDPE  
Range of Door Colours  
Made From 100% Recyclable Materials  
Can Also Be Made From 100% Recycled Materials  
Weight Original 60kg; Extra 70kg

## HIGHLIGHTS FOR CONTRACTORS

Delivered Palletised and Fully Assembled  
At Contractor Level Incredibly Fast and Easy Installation  
Recycled Option Excellent for Sustainability Targets  
Flexible Layout Options for Condensed High Volume Installations  
Lead Time from Purchase Order to Delivery 10-15 Working Days



## TWO VARIANTS

ORIGINAL – Strictly One Bike  
£585+VAT



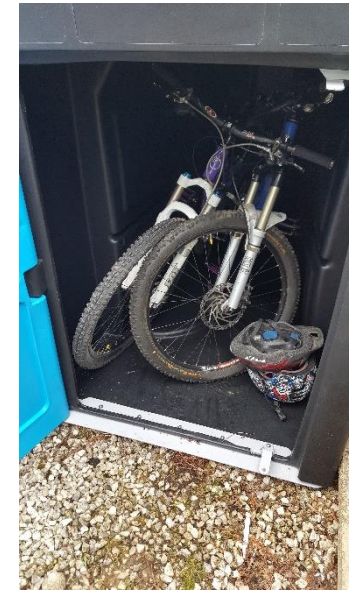
EXTRA – Two Bikes  
£650+VAT



Free Delivery to Mainland UK and Scottish Borders

More Images

[www.bike-vault.co.uk/gallery](http://www.bike-vault.co.uk/gallery)



# BIKE VAULT

The Secure Affordable Bike Storage Solution

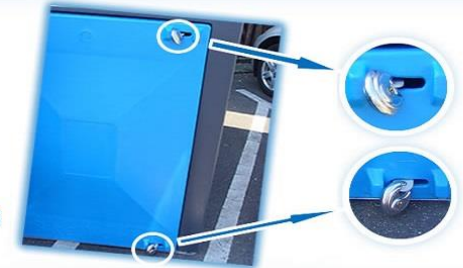
[www.bike-vault.co.uk](http://www.bike-vault.co.uk) - 01702 416300 - [info@bike-vault.co.uk](mailto:info@bike-vault.co.uk)

 >  >   
**BIKE VAULT**  
THE SECURE, AFFORDABLE  
BIKE STORAGE SOLUTION



**DOUBLE  
EXTERNAL  
SECURITY**

TWO TAMPER RESISTANT  
TABS TO ACCEPT PADLOCKS



**AND THERE'S EVEN  
INTERNAL SECURITY**

AN INTERNAL GROUND ANCHOR ACCEPTS  
YOUR CHAIN AND YOUR BIKE VAULT IS SECURE



**SO CONVENIENT!**

STORE ALL YOUR GEAR WITH YOUR BIKE  
NO MORE CARRYING IT AROUND ALL DAY!



**WEATHERPROOF!**

EVERYTHING IS NICE AND DRY!  
YOUR BIKE AND ALL YOUR GEAR  
IS PROTECTED FROM THE ELEMENTS!

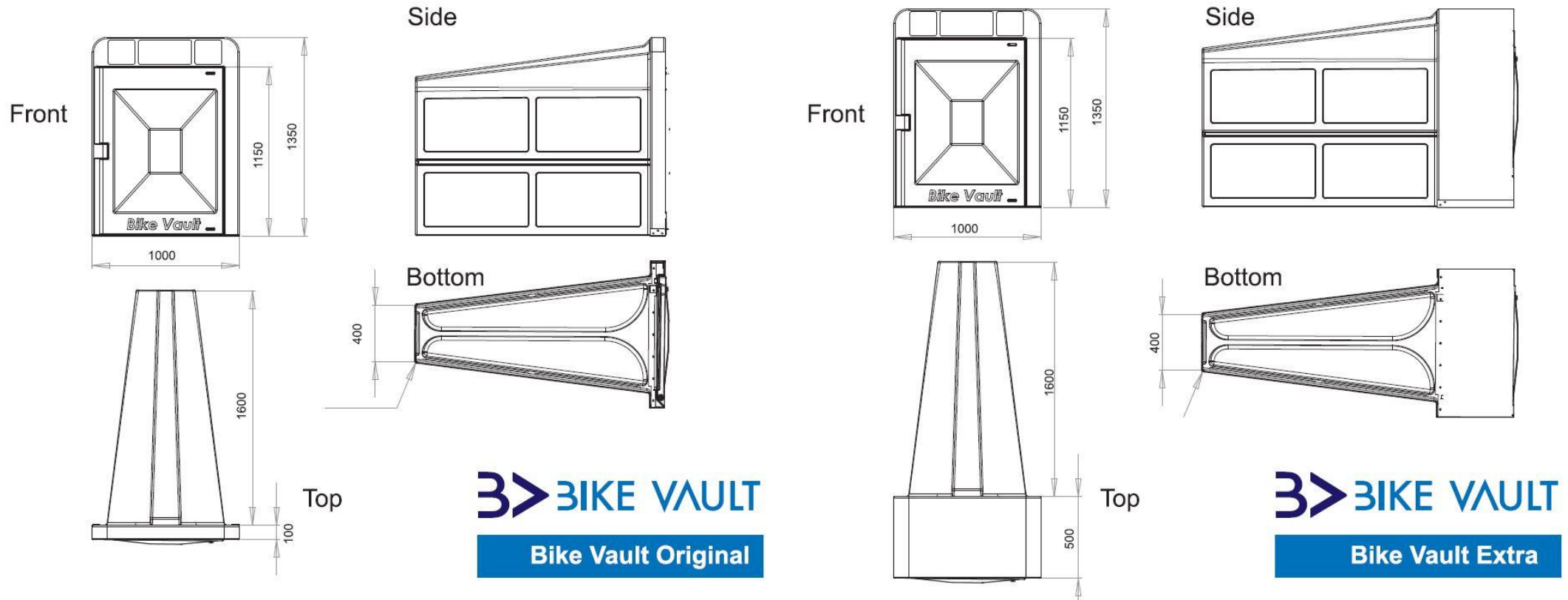


**HANDSOME!!**

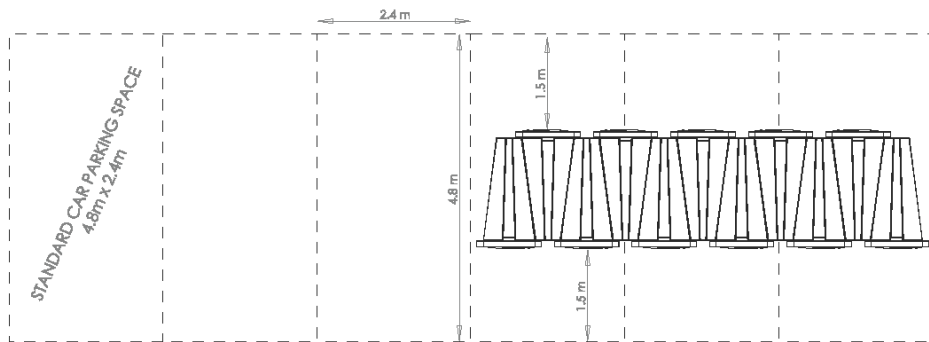
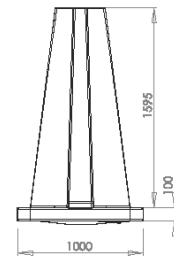
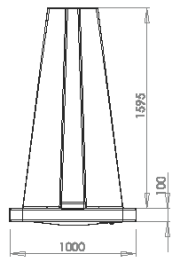
WE THINK BIKE VAULT IS  
GOOD LOOKING TOO!  
WE HOPE YOU AGREE!



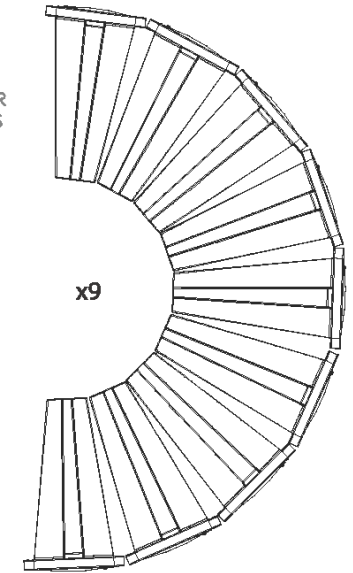
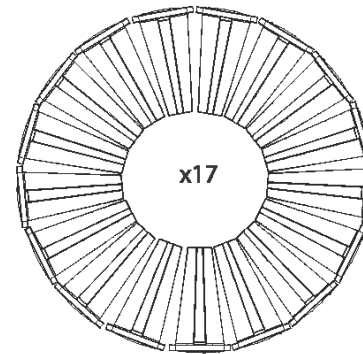
## TECHNICAL SPECIFICATIONS



## POSSIBLE PARKING LAYOUTS



APPROX DIAMETER  
OF THESE LAYOUTS  
EXTERNAL 5.75m  
INTERNAL 2.25m



## ADDITIONAL SECURITY ACCESSORIES



*Oxford LK396 Anchor14 Ground Anchor  
Sold Secure Gold*



*Oxford LK395 Anchor10 Ground Anchor  
Sold Secure Silver*



*Oxford OF159 HD Chain & Lock  
Sold Secure Gold*



*Abus 23/60 Door Lock*



*Abus 23/60 Door Lock Fitted*





The Secure Affordable Bike Storage Solution  
[www.bike-vault.co.uk](http://www.bike-vault.co.uk) - 01702 416300 - [info@bike-vault.co.uk](mailto:info@bike-vault.co.uk)

## COMPANY AND OTHER INFORMATION

BIKE VAULT LIMITED

Directors: Simon Harrison and Neil Robins

Company Number 07104740

31 Woodfield Park Drive, Leigh on Sea, SS9 1LN

+44 1702 416300

[www.bike-vault.co.uk](http://www.bike-vault.co.uk)

[info@bike-vault.co.uk](mailto:info@bike-vault.co.uk)

Established 2009

Installed Throughout the Entire UK

In Excess of 1,000 Bike Vaults Installed

In All Commercial, Educational and Residential Situations

No Reported Thefts or Break Ins

